

Assembling the NoZone[®] WS Enclosure

Cat. #1090-13-0

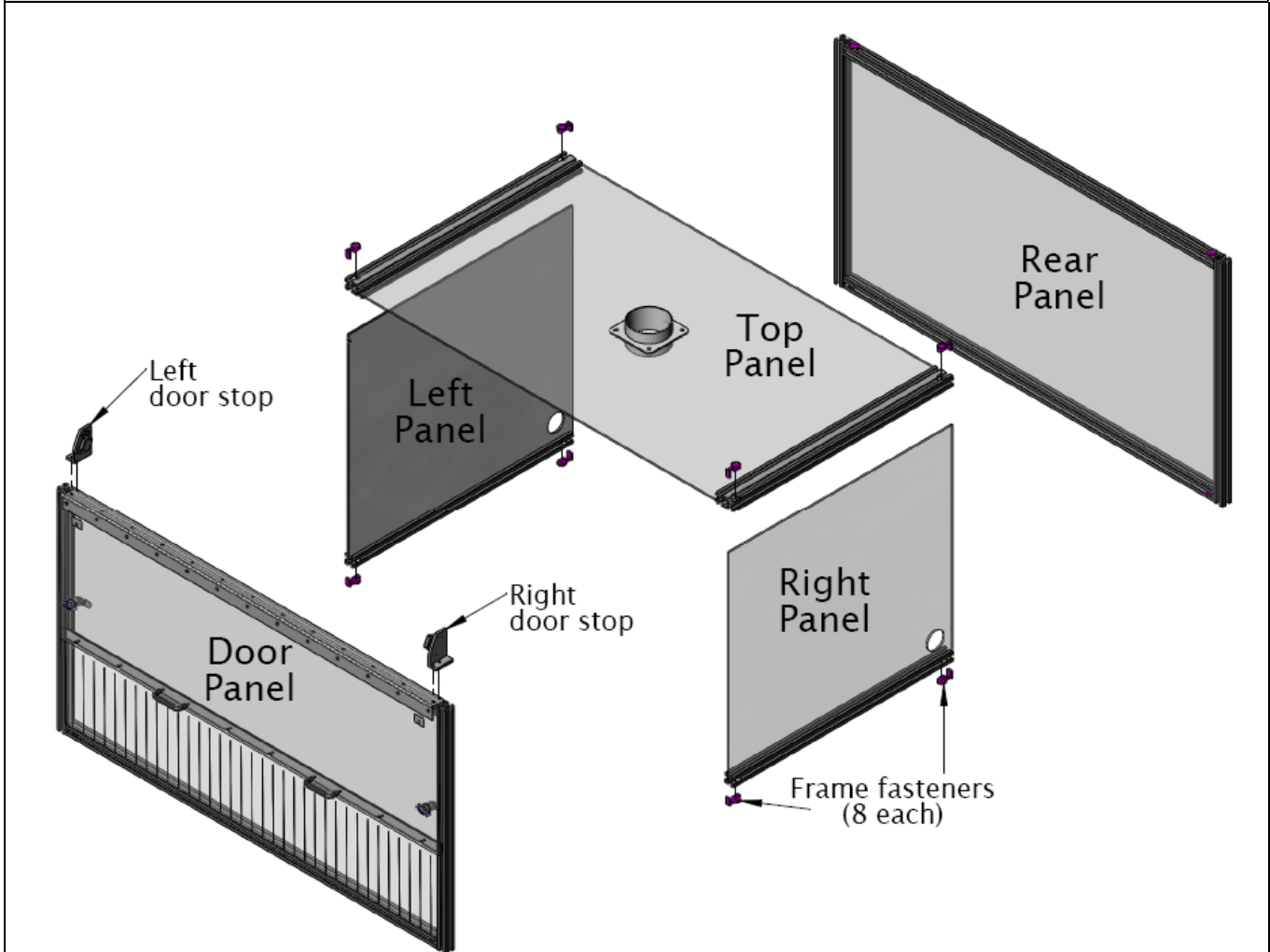
» Identify System Components

Unpack and identify all components before assembly. Report any missing items to: techserv@scigene.com.

- Rear Panel
- Top Panel
- Left Panel
- Right Panel
- Door Panel with hand accessible opening
- Frame fasteners (8)
- Left door stop with attachment screws
- Right door stop with attachment screws

» Tools Provided

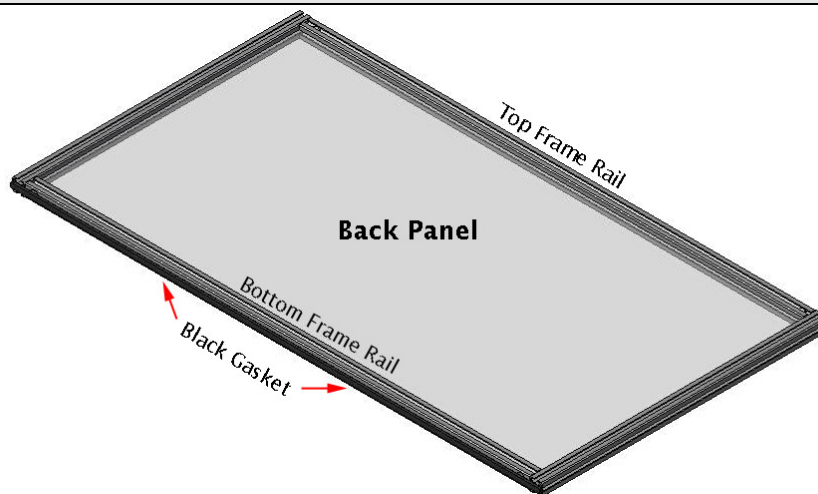
- Hex wrench
- Rubber mallet — *Do not use a standard hammer*



» Step 1. Position Back Panel for Assembly

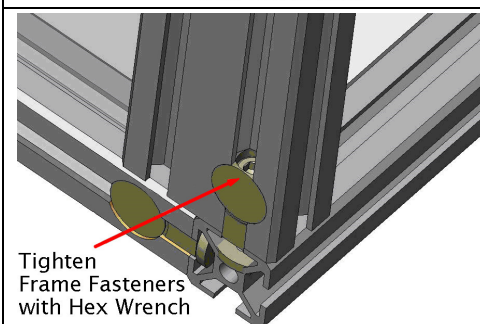
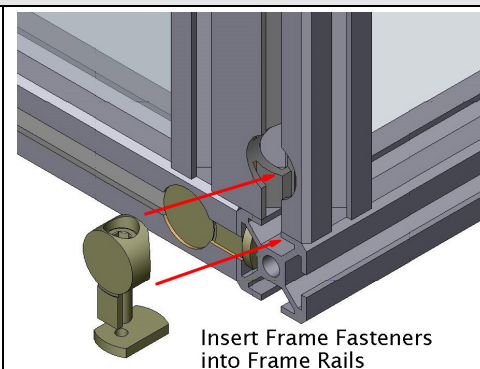
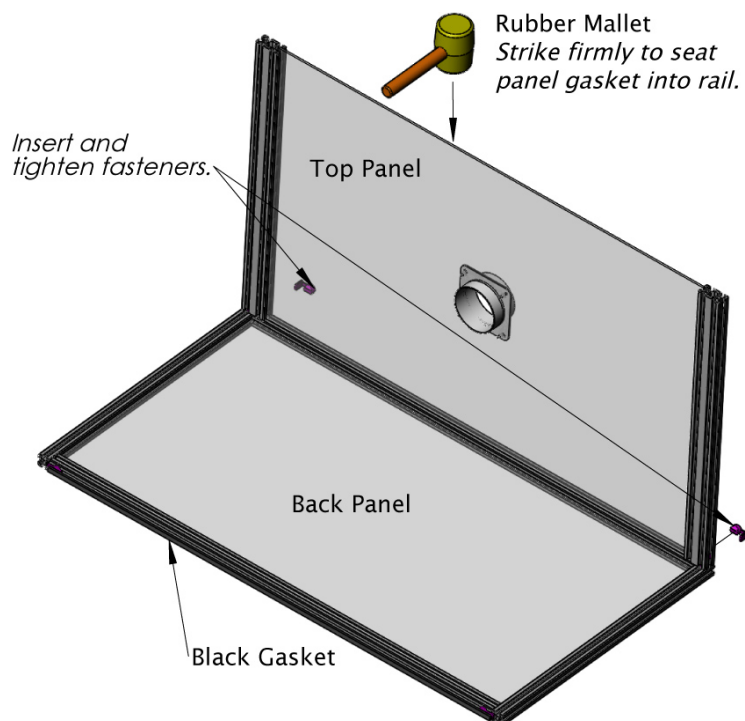
Note: The enclosure is assembled in an unusual orientation with the back panel facing down on the assembly surface and the door facing toward the ceiling. Once assembled, the enclosure is lifted and rotated to its correct orientation.

Place the **Back Panel** face down on a table or other flat surface. Note which edge has a black gasket.



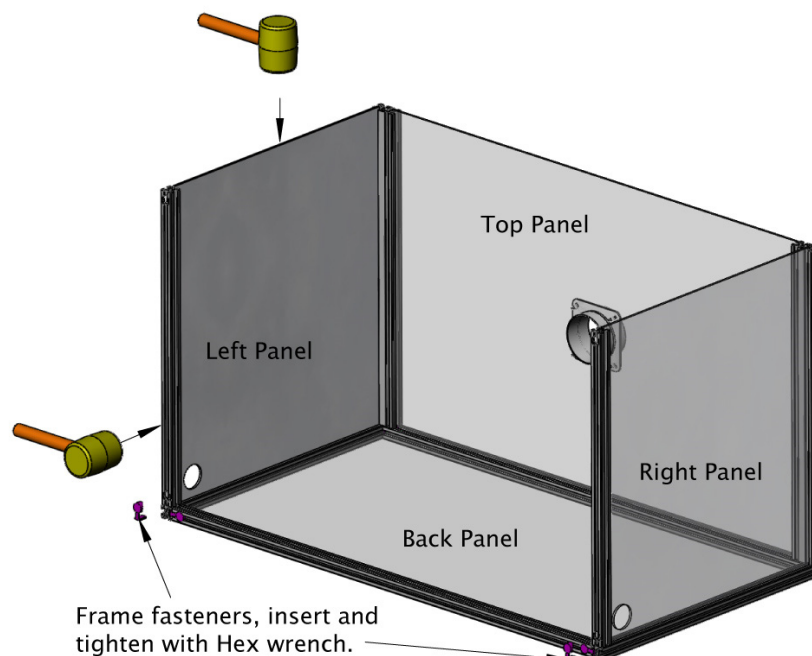
» Step 2. Attach Top Panel

Attach the **Top Panel** to the **Back Panel** frame making certain to attach to the Back Panel edge that does not have a black gasket. Seat the acrylic panel into the channel in the bottom frame using the rubber mallet. Place fasteners flush with the frame. Use Hex Wrench to tighten fasteners by placing it into the groove of the frame.



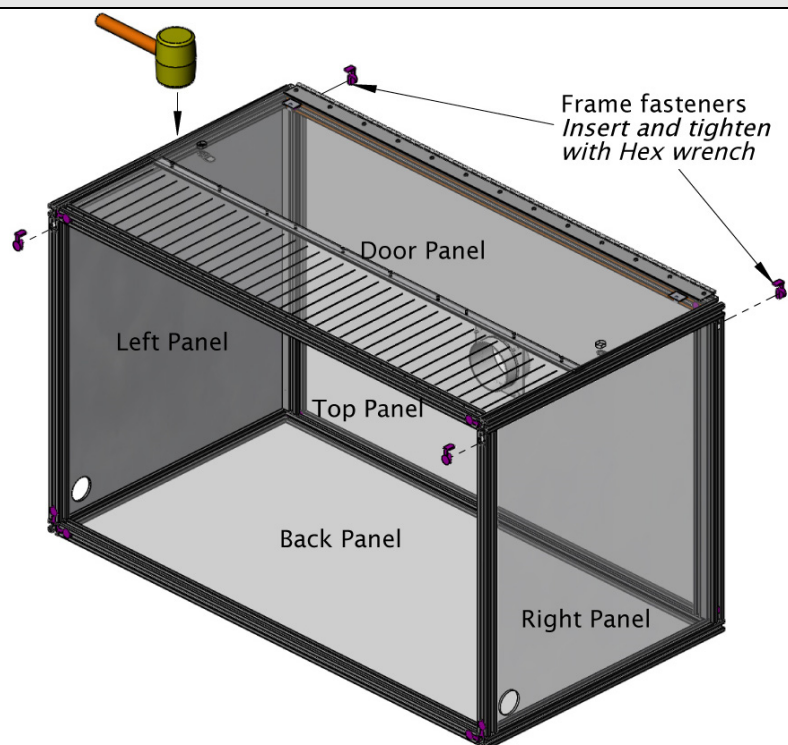
» Step 3. Insert Left and Right Panels

Position and seat the left and right panels into the back and top frame channels using the rubber mallet.



» Step 4. Attach Door

Place the door assembly with the hinge side positioned toward the **Top Panel**. Align the channels in the door frame with the edges of the three acrylic panels (Top, Left and Right). Seat the door on the acrylic panels using the rubber mallet. Fasten the door frame at each corner to the body of the enclosure.



» Step 5. Install Door Stops and Remove Protective Paper

With two people, lift and reorient the enclosure to its correct upright position. Attach the left door stop using the screws provided to the left top of the door frame. Repeat with the right door stop.

Remove protective paper covering the sides of the enclosure.

Proceed with the installation of the NoZone® Ozone Scrubber (see “*Installing the NoZone® Ozone Scrubber*” document), if so equipped.

